

Travel Restrictor, Face-Fixed

Features and Benefits

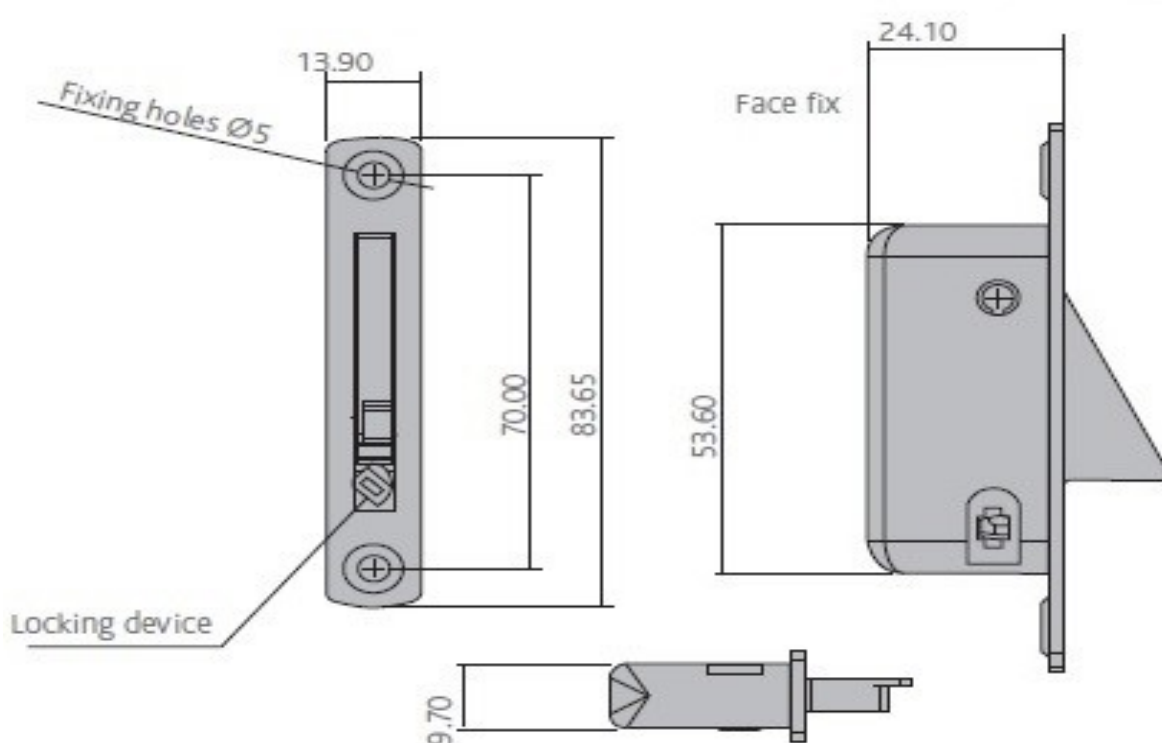


The robust travel restrictor has been designed with safety in mind. Positioned on the sash, the restrictor limits the opening of the window to prevent the travel of the sash beyond a designated position.

With a key lockable spring loaded bolt, simply closing the bolt allows the sash to move freely. Non-handed for ease of application, it is recommended that a restrictor is fitted to both sides of the sash. Routed into the sash discreetly to appear part of the window.

Available in a range of finishes.

BS EN 1670:2007 Grade 5 (480 hours) for Corrosion Resistance



Window & Door Accessories Ltd.

Richmond House, Newtown Avenue, Malahide Road Industrial Park, Dublin 17

Tel: 01-8670011 Fax: 01-8670013 Email: info@wdacc.ie Web: www.wdacc.ie