

# Res-Lock Restrictor

## Features and Benefits



- \* Automatic Locking
- \* Automatic engagement
- \* Concealed fitting
- \* Restricts sash to 100mm opening
- \* Dedicated key release
- \* Retro fitting option
- \* Suitable for all window styles: PVCu, Aluminium & Timber
- \* Conforms to BS EN 14351:2006 Clause 4.8
- \* Constructed from stainless steel and zinc alloy
- \* Supplied in self colour
- \* Studs supplied separately



RES-LOK Concealed Restrictor

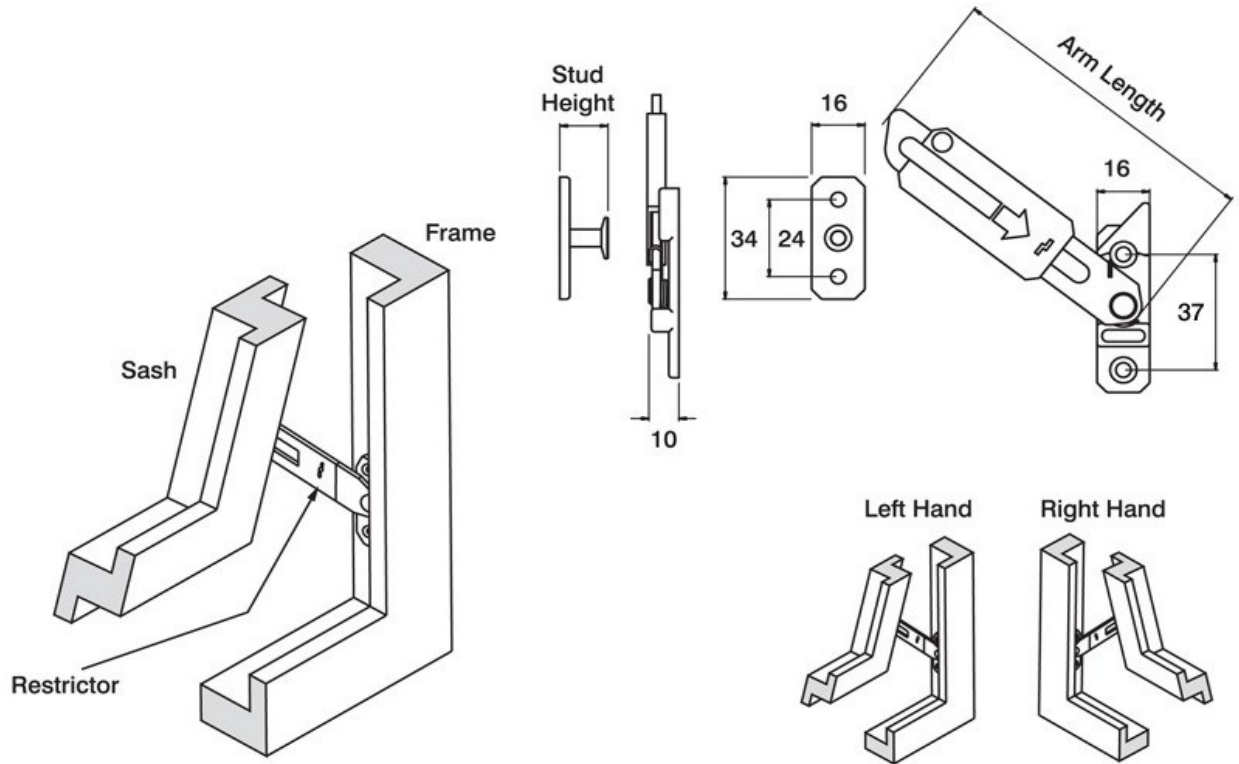


## Window & Door Accessories Ltd.

Richmond House, Newtown Avenue, Malahide Road Industrial Park, Dublin 17

Tel: 01-8670011 Fax: 01-8670011 Email: [info@wdacc.ie](mailto:info@wdacc.ie) Web: [www.wdacc.ie](http://www.wdacc.ie)

# Technical Drawing



RES-LOK Concealed Restrictor

### Product Codes

A6001-105-L	Res-Lok Concealed Restrictor, Key Locking, Arm L=105mm, L/H, Silver
A6001-105-R	Res-Lok Concealed Restrictor, Key Locking, Arm L=105mm, R/H, Silver
A6001-113-L	Res-Lok Concealed Restrictor Extended, Key Locking, Arm L=113mm, L/H, Silver
A6001-113-R	Res-Lok Concealed Restrictor Extended, Key Locking, Arm L=113mm, R/H, Silver
A6001-120-L	Res-Lok Concealed Restrictor Extra Extended, Key Locking, Arm L=120mm, L/H, Silver
A6001-120-R	Res-Lok Concealed Restrictor Extra Extended, Key Locking, Arm L=120mm, R/H, Silver
A6010-11.5	Stud Plate for Res-Loc Extra Extended, H=11.5mm
A6010-12.5	Stud Plate for Res-Loc Extra Extended, H=12.5mm
A6010-13.5	Stud Plate for Res-Loc Extra Extended, H=13.5mm
A6010-14.5	Stud Plate for Res-Loc Extra Extended, H=14.5mm
A6010-KEY	Spare Key for Res-Loc



## Window & Door Accessories Ltd.

Richmond House, Newtown Avenue, Malahide Road Industrial Park, Dublin 17

Tel: 01-8670011 Fax: 01-8670011 Email: info@wdacc.ie Web: www.wdacc.ie