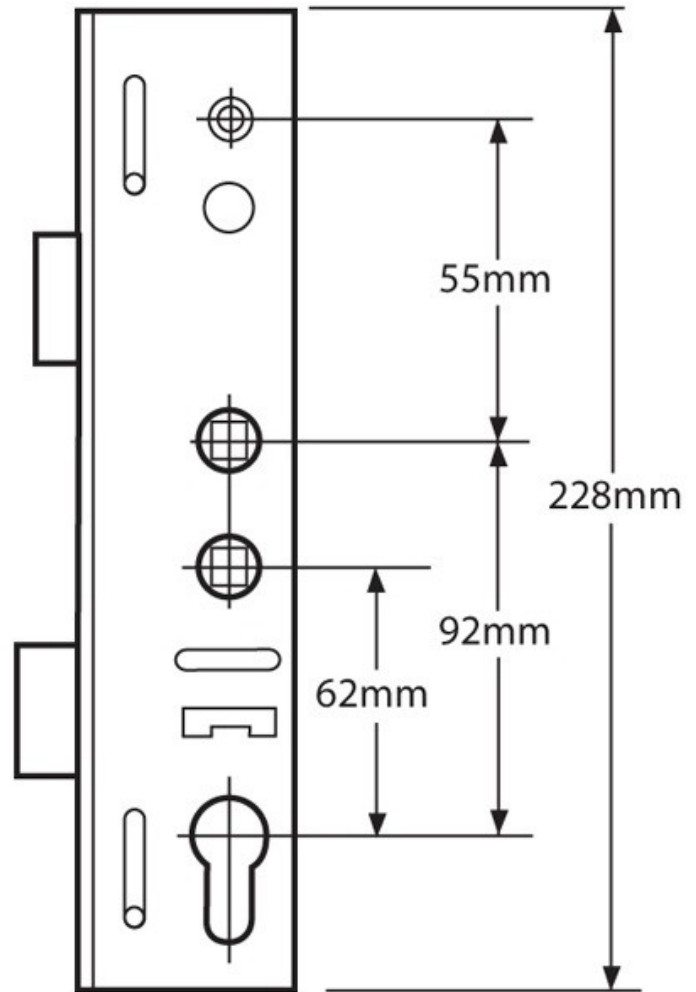


## Features and Benefits



Lockmaster gearbox centre case 35mm - 62mm / 92mm Centre Case Gearbox can be used to replace a like for like Centre Case when it is no longer working. In addition, the Lockmaster gearbox 35mm - 62mm / 92mm double spindle version can be installed as an upgrade to your existing product if only a single spindle to allow a different handle operation if desired

The twin spindle lockcase is un-sprung and should be used in conjunction with sprung door handles

- Backset 35mm
- Case Height 228mm
- Case Width 47mm
- Centre Case Latch & Deadbolt
- Centres 92mm & 62mm
- Operation A - Lift lever to engage locking mechanisms and then one full turn of the cylinder to lock. One full turn of the key then push down on the lever to unlock
- Spindle Twin



## Window & Door Accessories Ltd.

Richmond House, Newtown Avenue, Malahide Road Industrial Park, Dublin 17

Tel: 01-8670011 Fax: 01-8670013 Email: [info@wdacc.ie](mailto:info@wdacc.ie) Web: [www.wdacc.ie](http://www.wdacc.ie)