

Features and Benefits



- * Product type: Set (handle/handle)
- * Version: Set with narrow backplate (3831N)
- * Material: aluminium
- * Keyhole: Euro profile cylinder
- * Hole distance: 92 mm
- * Door thickness: 40-45 mm
- * Spindle size: 8 mm

Technical Information

HOPPE aluminium handle set on narrow backplate for profile doors:

- * Tested to DIN EN 1906: 26-0130U
- * Bearing: fixed/movable door handles, maintenance-free slide bearing
- * Connection: HOPPE solid spindle
- * Backplate: supporting lugs
- * Fixing: visible inside, bolt-through, M5 thread screws



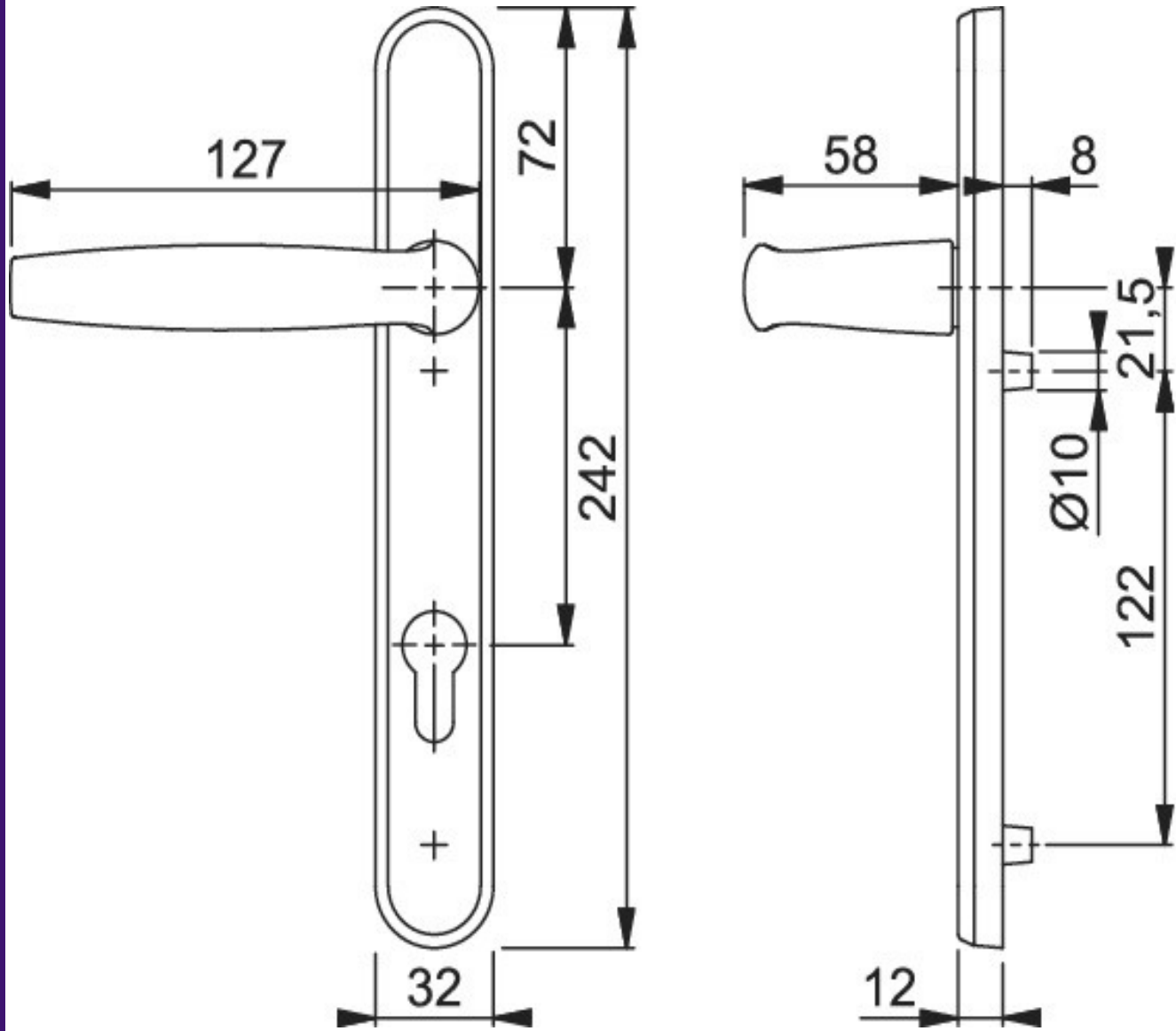
Window & Door Accessories Ltd.

Richmond House, Newtown Avenue, Malahide Road Industrial Park, Dublin 17

Tel: 01-8670011 Fax: 01-8670013 Email: info@wdacc.ie Web: www.wdacc.ie

Lever / Lever Handle 92mm

Technical Drawing



Window & Door Accessories Ltd.

Richmond House, Newtown Avenue, Malahide Road Industrial Park, Dublin 17

Tel: 01-8670011 Fax: 01-8670013 Email: info@wdacc.ie Web: www.wdacc.ie