

Features and Benefits



- * Available in 8", 10", 12", 16", 20" and 24" Top Hung.
- * Non Handed – no misfitting.
- * Available in both 13mm and 17mm stack height to suit most common casement profiles.
- * If fitted with a hinge protector this stay exceeds the requirements of BS 7950 – the simplest and surest way to meet the security standards.
- * 10 year mechanical guarantee.
- * BS EN ISO 9001/2008 Quality Management System.
- * BBA Approved – BBA Assessment Report S2/45654.

Technical Information

Material Specification

Stainless Steel Grade 430

Assessment Data

Performance: 30,000 cycle guarantee.

Additional Information

Box Qty: 50prs – 8" & 10",
25prs – 12", 16", 20" & 24"



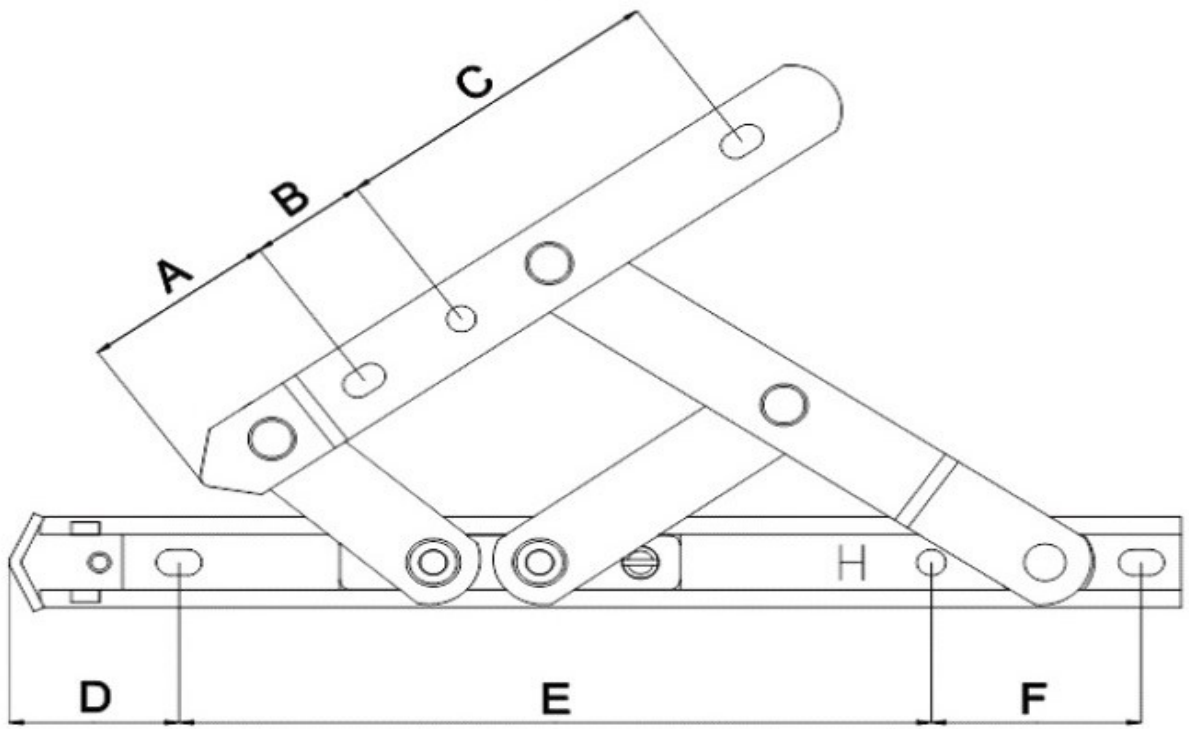
Window & Door Accessories Ltd.

Richmond House, Newtown Avenue, Malahide Road Industrial Park, Dublin 17

Tel: 01-8670011 Fax: 01-8670013 Email: info@wdacc.ie Web: www.wdacc.ie

Friction Hinge, Top Hung

Fixing Hole Dimensions



Size	A	B	C	D	E	F
08TH	35	21	102	30	132.5	37
10TH	35	30.6	121	30	178	42.5
12TH	35	54	121	30	211.5	60
16TH	35	101.5	121	30	281.5	92
20TH	35	148.5	121	30	227.5	248
24TH	35	195.5	121	30	175.5	402

Size	Max Vent Weight (kg)	Max Vent Height (mm)	Max Vent Width (mm)	Opening Angle	Restricted (IR) Opening Angle
08"	12	350	1200	60°	-
10"	16	400	1200	85°	-
12"	21	550	1200	85°	-
16"	22	750	1200	85°	13°
20"	24	1000	1200	55°	11°
24"	26	1200	1200	38°	8°



Window & Door Accessories Ltd.

Richmond House, Newtown Avenue, Malahide Road Industrial Park, Dublin 17

Tel: 01-8670011 Fax: 01-8670011 Email: info@wdacc.ie Web: www.wdacc.ie