

Features and Benefits



- * Available in 12" & 16" Side Hung.
- * Available in both 13mm and 17mm stack height to suit most common casement profiles.
- * If fitted with a hinge protector this stay exceeds the requirements of BS 7950 – the simplest and surest way to meet the security standards.
- * Gives maximum exit clearance.
- * BSI approved.
- * BBA approved.
- * SBD accredited.
- * Suitable for Document Q.

Technical Information

Material Specification

Ferritic steel

Assessment Data

Performance: 30,000 cycle guarantee.

Additional Information

Box Qty: 25prs – 12" & 16",

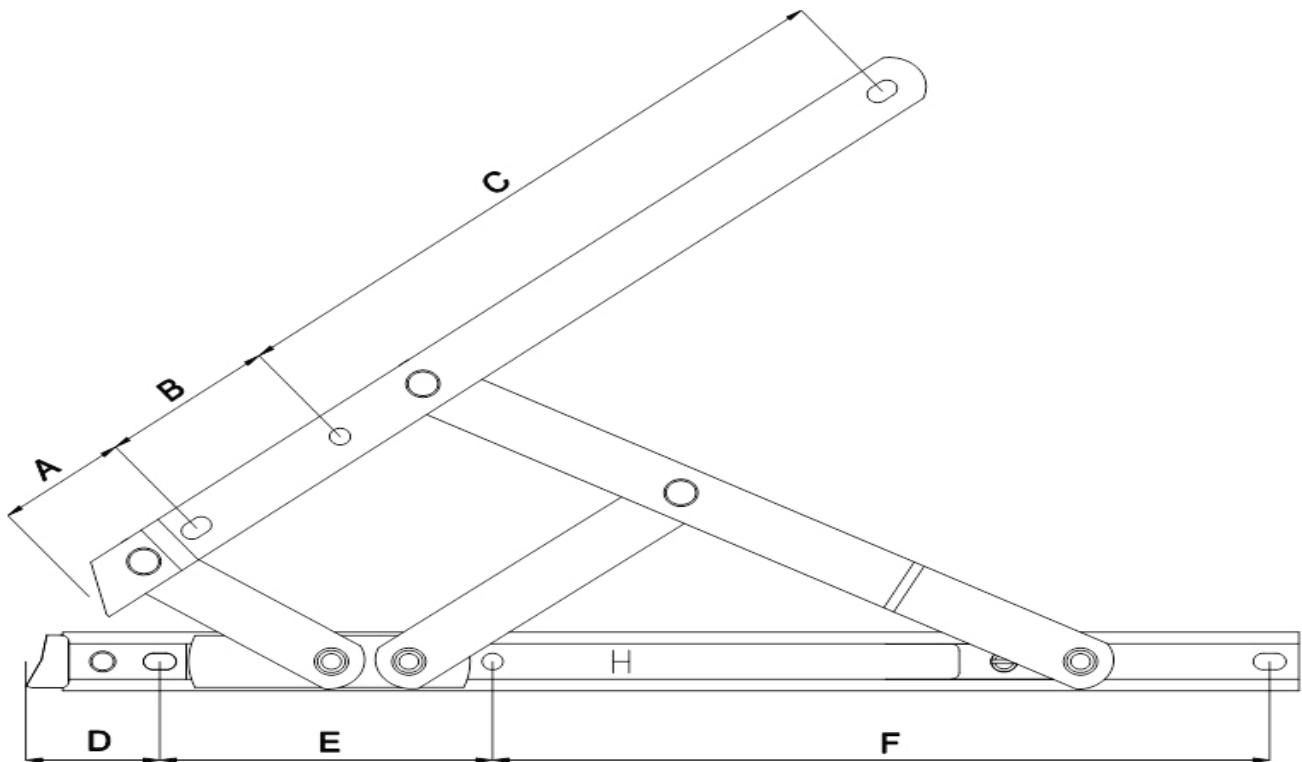
Window & Door Accessories Ltd.

Richmond House, Newtown Avenue, Malahide Road Industrial Park, Dublin 17

Tel: 01-8670011 **Fax:** 01-8670013 **Email:** info@wdacc.ie **Web:** www.wdacc.ie



Technical Drawing



Size	A	B	C	D	E	F
12" - 13mm	33.75	45	170	32.8	16	256
16" - 13mm	33.25	105.5	134	32.8	16	358
12" - 17mm	33.75	45	140	32.8	16	256
16" - 17mm	33.25	105.5	134	32.8	16	358

Specifications for Standard Stays 13mm and 17mm Stack Height

Size (Side Hung)	Max Vent Weight (kg)	Mas Vent Width (mm)	Opening Angle	Restricted Angle (IR Only)
12"	22	650	85°	15°
16"	24	700	88°	12°



Window & Door Accessories Ltd.

Richmond House, Newtown Avenue, Malahide Road Industrial Park, Dublin 17

Tel: 01-8670011 Fax: 01-8670011 Email: info@wdacc.ie Web: www.wdacc.ie