

Features and Benefits



- * 3 dimensional adjustment - vertical (+4mm), lateral (+/- 5mm) and fine tuning for compression (+/- 1mm)
- * Adjustment with 5mm Allen key achieved without removing door leaf from frame
- * Steel hinge pin for enhanced strength
- * Captive sash retaining screw for simple sash lid fitting
- * 'Lift-on, lift-off' design for efficient on-site installation by one person
- * Positive location of the top cover cap and height adjustment packer further eases fabrication
- * 4 over-rebate bushes to fit over-rebate heights 14 - 24mm - bushes are marked 14-20mm, 15-19mm, 16-18mm and 17mm
- * Utilises only 1 frame packer to alter over-rebate heights by a further 4mm, suiting a range of

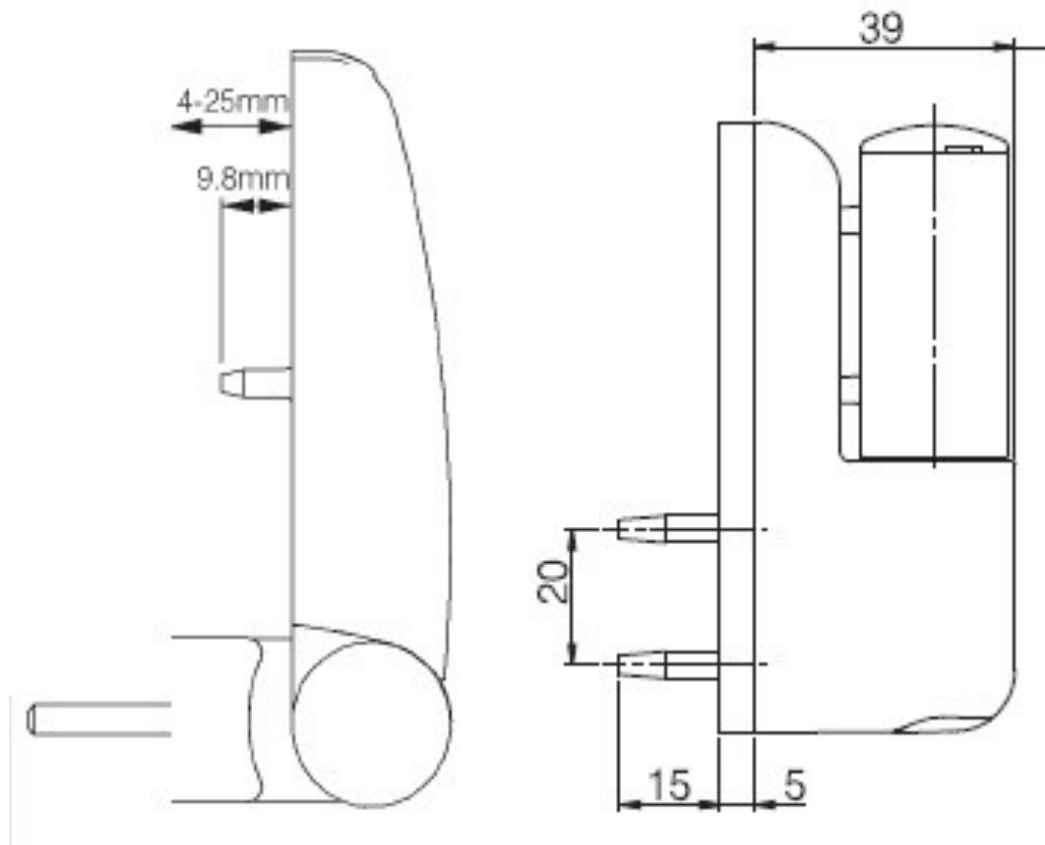
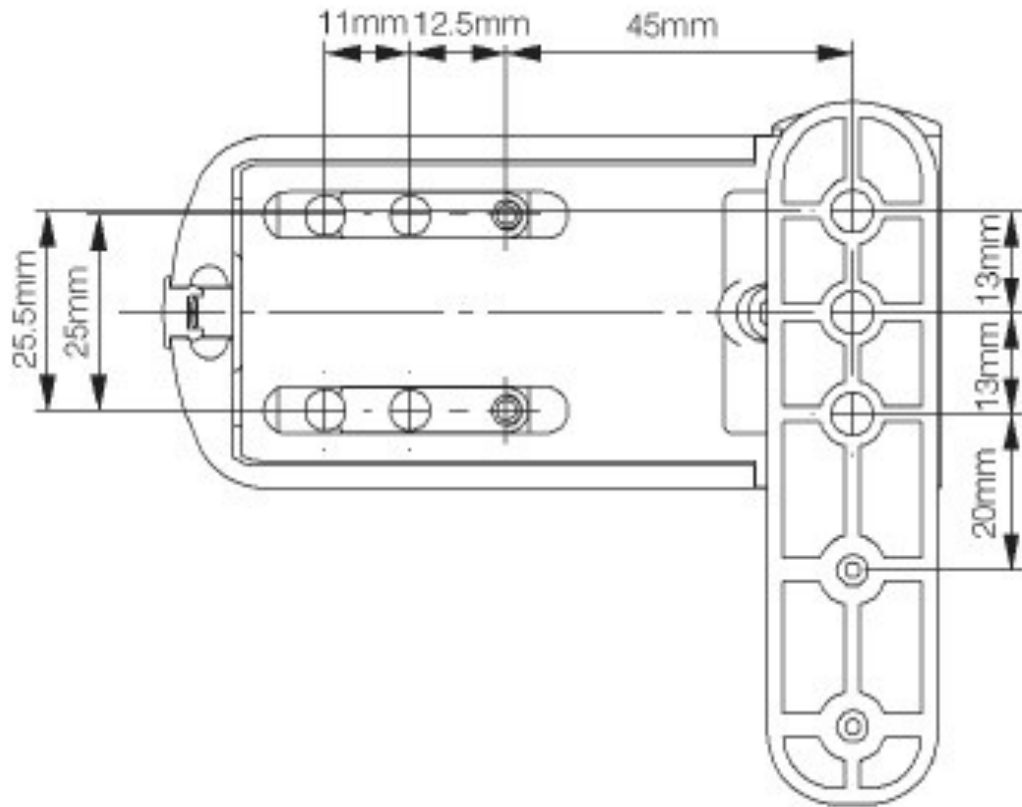


Window & Door Accessories Ltd.

Richmond House, Newtown Avenue, Malahide Road Industrial Park, Dublin 17

Tel: 01-8670011 Fax: 01-8670013 Email: info@wdacc.ie Web: www.wdacc.ie

Technical Drawing



Flag Hinge



Window & Door Accessories Ltd.

Richmond House, Newtown Avenue, Malahide Road Industrial Park, Dublin 17

Tel: 01-8670011 Fax: 01-8670013 Email: info@wdacc.ie Web: www.wdacc.ie