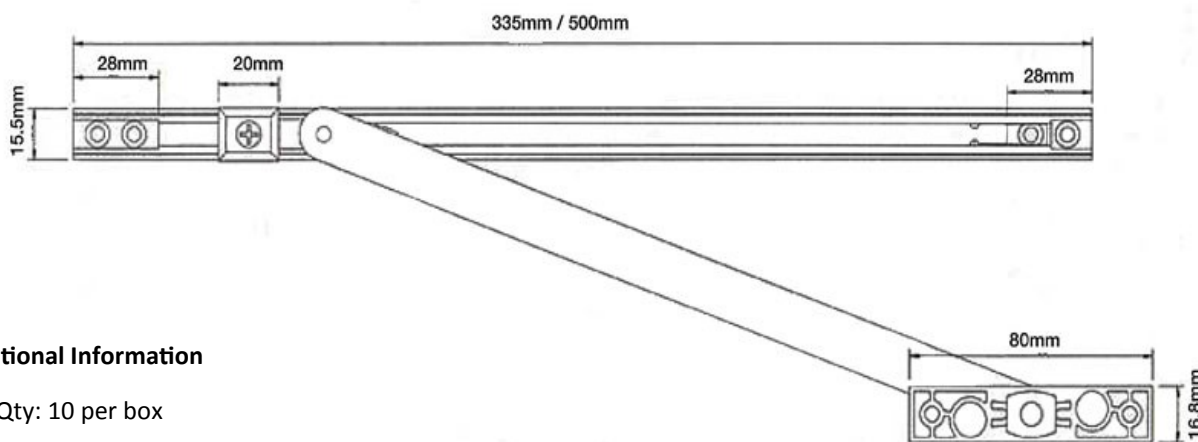


Features and Benefits



- * Restrictor limits door opening to present position or to maximum of 90 degrees.
- * Easy to fit in euro-groove and bracket to frame.
- * Slider contains friction screws to hold the door open in mild wind conditions.
- * 335 mm length
- * Suitable for all major uPVC profiles with 16mm euro-groove,
- * BSEN ISO 9001/2008 Quality Management System.



Additional Information

Box Qty: 10 per box

Technical Information

Material Specification

Track: Aluminium extruded, stainless steel 430 (RS10)

Slider/Endcap: Nylon 66

Frame locator: Zinc BS 1004/A

Assessment Data

Performance: test to 100,000 operations.

Corrosion resistanceL meets requirements of BS EN 1670:1998 Grade 4

Window & Door Accessories Ltd.

Richmond House, Newtown Avenue, Malahide Road Industrial Park, Dublin 17

Tel: 01-8670011 Fax: 01-8670011 Email: info@wdacc.ie Web: www.wdacc.ie

