

Door Closer, Transom, RTS 85

Features and Benefits



The DORMA RTS 85 transom concealed door closer offers a solution for installations where door control must be provided without disturbing the aesthetic appearance of the door.

A complete line of accessories is available to accommodate virtually any door and frame configuration.

- * Successfully third party tested to BS EN1154
- * CE Marked
- * Door closer hidden in the door frame
- * Door widths up to 950mm / 1100mm / 1250mm
- * For single and double action doors
- * One closer body for all types of fixing
- * Wide range of accessories for almost every configuration



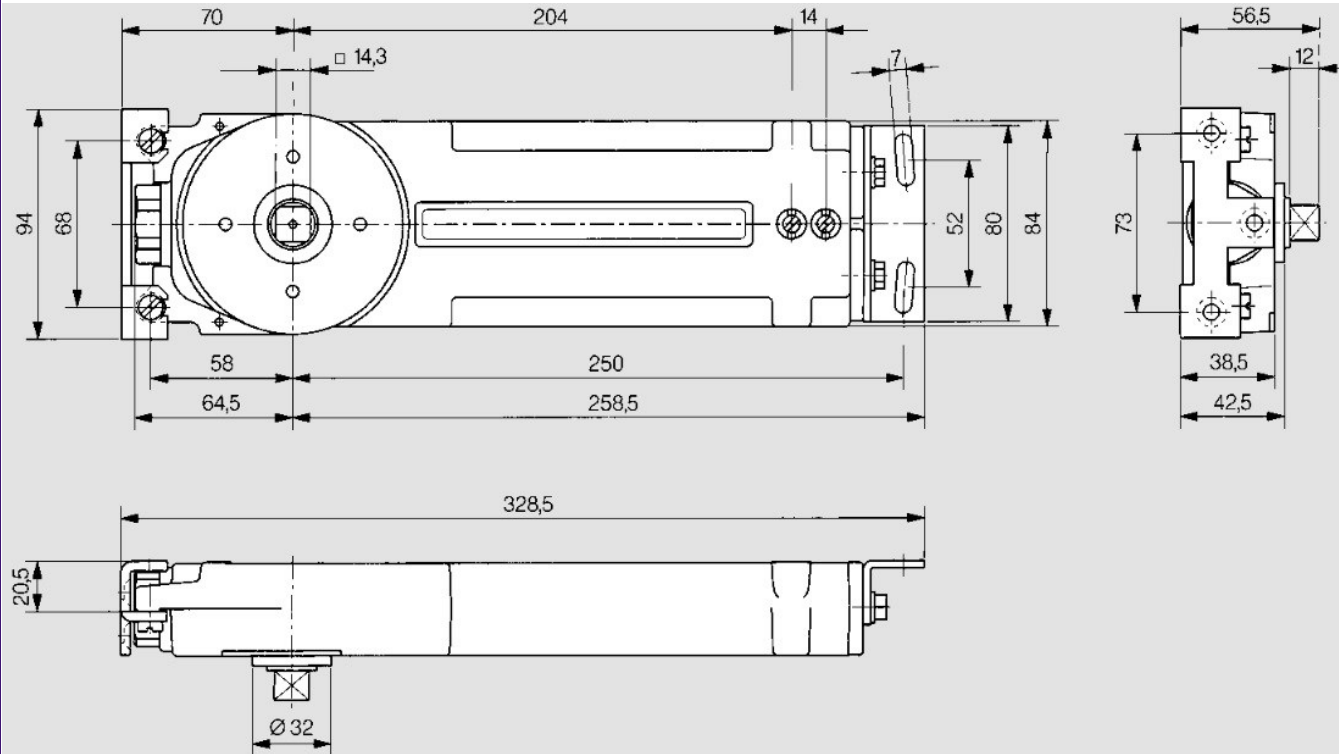
Window & Door Accessories Ltd.

Richmond House, Newtown Avenue, Malahide Road Industrial Park, Dublin 17

Tel: 01-8670011 **Fax:** 01-8670011 **Email:** info@wdacc.ie **Web:** www.wdacc.ie

Features and Benefits

Door Closer, Transom, RTS 85



Technical Data		RTS 85		
Closing force		EN 3	EN 4	EN 5
Internal doors and external doors ¹⁾	up to 950 mm	●	-	-
	1100 mm	-	●	-
	1250 mm	-	-	●
Same model for double action doors, RH (ISO 5) and LH (ISO 6)		●	●	●
Closing speed variable by valve adjustment		●	●	●
Final closing speed variable by valve adjustment		●	●	●
Backcheck, progressive, mechanical		●	●	●
Backstop, mechanical		●	●	●
Hold-open	105°	○	○	○
	90°	○	○	○
Extended spindle	5 mm	○	○	○
	10 mm	○	○	○
Reduced pivot point for tempered glass doors (65 mm)		○	○	○
Weight in kg		4.7	4.8	4.9
Dimensions in mm	Length	323	323	323
	Width	90	90	90
	Height	38	38	38
Door closer tested to EN 1154		●	●	●
CE mark for building products		●	●	●

● Yes - No ○ Option

Window & Door Accessories Ltd.

Richmond House, Newtown Avenue, Malahide Road Industrial Park, Dublin 17

Tel: 01-8670011 Fax: 01-8670011 Email: info@wdacc.ie Web: www.wdacc.ie

