

Features and Benefits



- * Available in both left and right hand.
- * Easy to fit with no routing required.
- * The restrictor catch automatically resets when the window is closed.
- * Pin height 10.5mm & 11.5mm.
- * Suitable for outwards and inwards opening windows.
- * Gives a maximum of 50mm opening providing an element of ventilation and child safety.
- * BSEN ISO 9001/2008 Quality Management System.

Technical Information

Material Specification

400 Series Stainless Steel

Additional Information

Box Qty: 50pcs per box



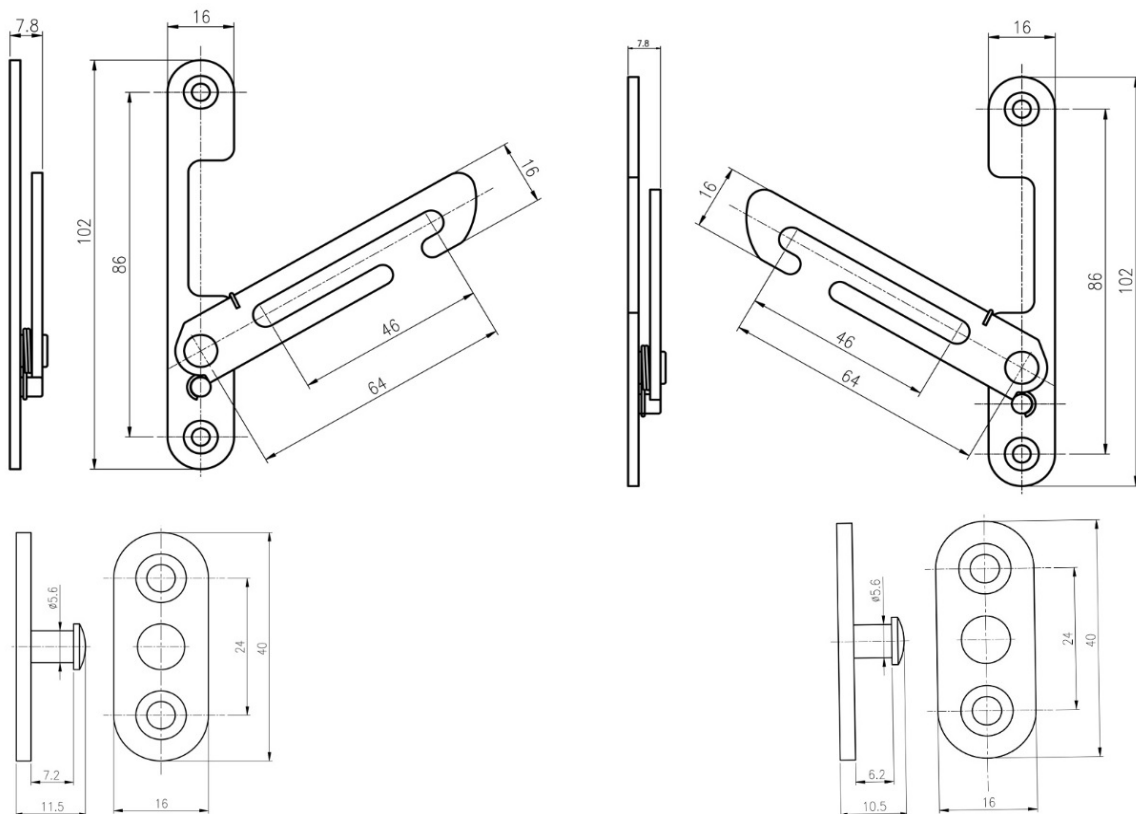
Window & Door Accessories Ltd.

Richmond House, Newtown Avenue, Malahide Road Industrial Park, Dublin 17

Tel: 01-8670011 **Fax:** 01-8670011 **Email:** info@wdacc.ie **Web:** www.wdacc.ie

Autolatch Restrictor

Technical Drawing



Product Codes

Autolatch Restrictor		
Part No	Description	Finish
A5501-L	Concealed Restrictor Catch L/H	Ferretic
A5501-R	Concealed Restrictor Catch R/H	Ferretic
A5520-10.5	Restrictor Stud 10.5mm	Ferretic
A5520-11.5	Restrictor Stud 11.5mm	Ferretic



Window & Door Accessories Ltd.

Richmond House, Newtown Avenue, Malahide Road Industrial Park, Dublin 17

Tel: 01-8670011 Fax: 01-8670011 Email: info@wdacc.ie Web: www.wdacc.ie